

**ARC M HIGH PERFORMANCE SERIES
PRODUCT TRAINING TUTORIAL**

LIQUID-COOLED SERIES

Part 2 – Key Wear Parts



M A K E W O R K
L I F E E A S I E R

Key Feature

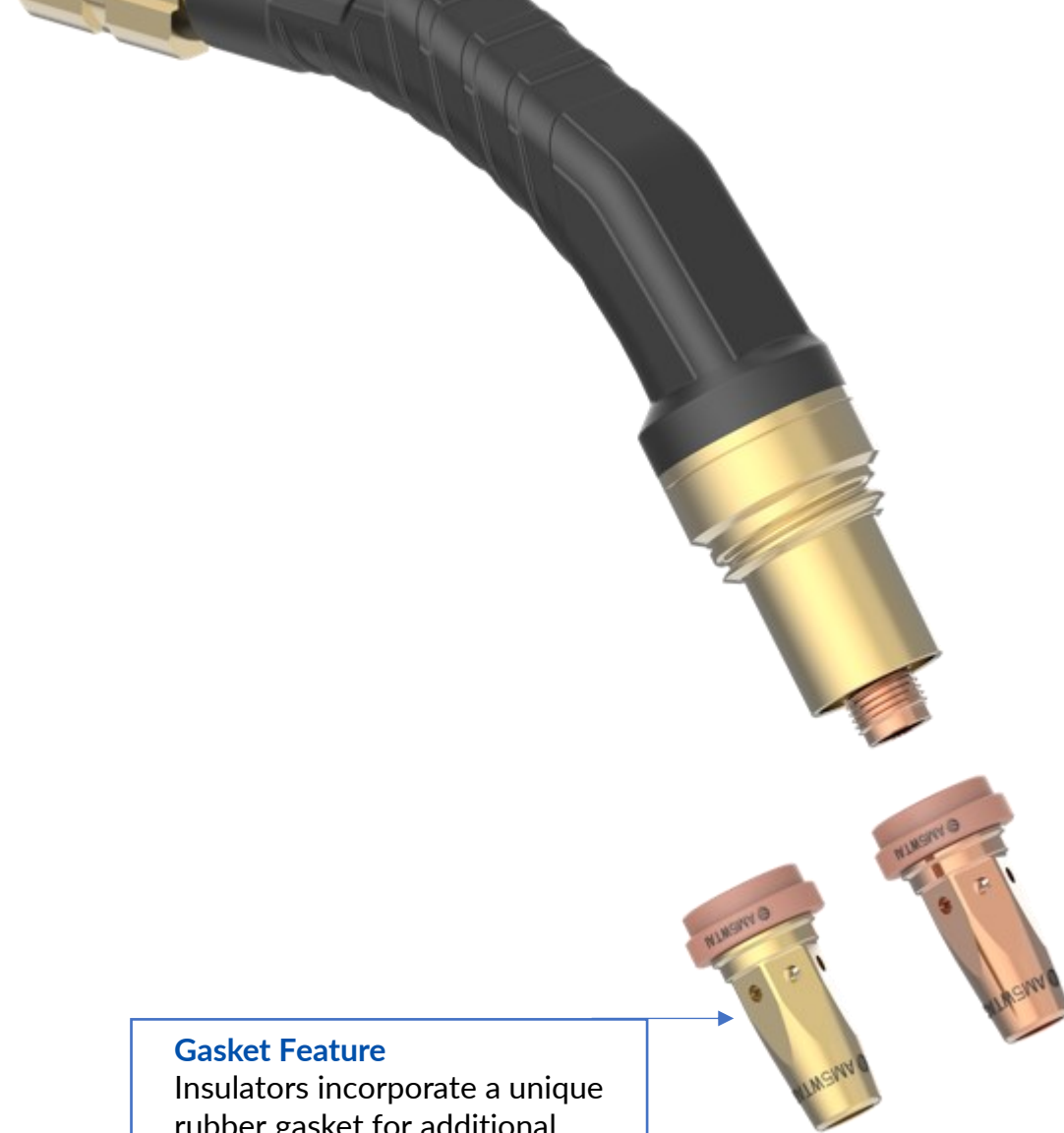
All wear parts are laser marked for ease of identification

Key Feature

Large area tapered face improves current transfer

CONTACT TIPS

- M5W made from CuCrZr with M8 thread
- M55W / 65W Series made from CuCrZr with M10 thread
- Utilizes force cool technology
- 'A series' for aluminium pulse and high deposition applications



Gasket Feature

Insulators incorporate a unique rubber gasket for additional protection against atmospheric contamination

TIP ADAPTORS

- Integrated spatter well
- Snap fit head insulator

Materials

- High conductivity copper for high amperage applications
- Brass options for lower duty / amperage applications
- 2.0mm and 4.5mm recess options

Key Feature

A 360° turn of the nozzle ring forces the nozzle forward and breaks off accumulated spatter.

NOZZLES

- Single piece push-on nozzle
- Patented Nozzle / Insulator System
- Reusable nozzle ring

SPECIALIST NOZZLES AND CONTACT TIPS

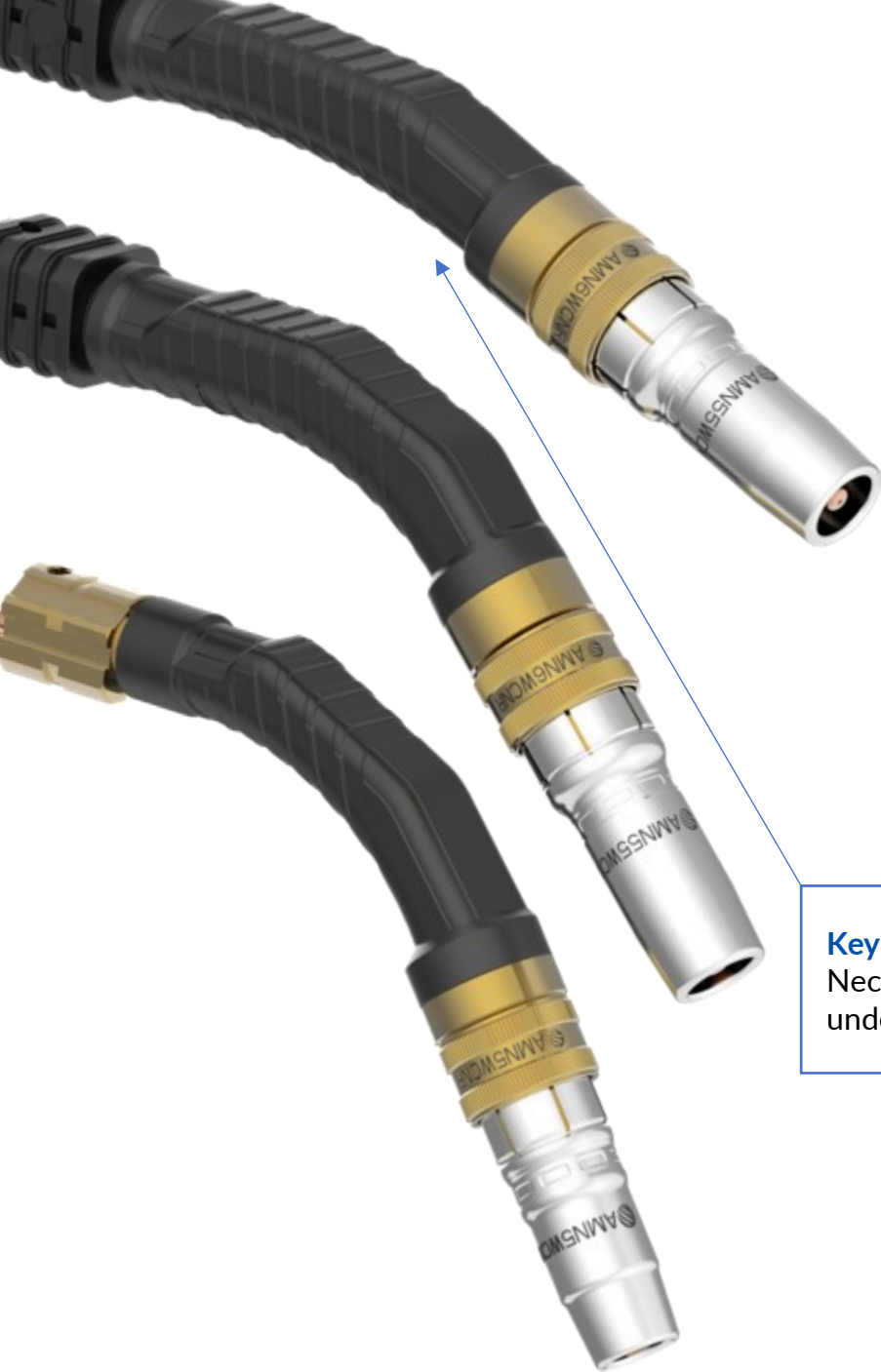
- Designed to make welding in narrow or confined spaces easier, the Arc Narrow Gap Nozzles

Key Feature

Improves accessibility, optimises gas flow and ensures accurate wire placement.

Single Piece
Conical Nozzle

Single Piece
Cylindrical Nozzle



SWAN NECKS

- Dual circuit conductor and nozzle seat cooling
- Overmoulded body armour for improved insulation and impact strength
- Contact tip centrality guaranteed to $\pm 0.05\text{mm}$
- 22° bend angle (WLP Model) for large and more difficult to feed wires

Key Feature

Neck ridges provide 'finger grip' under the welders glove



Key Feature
Large surface area soft grips

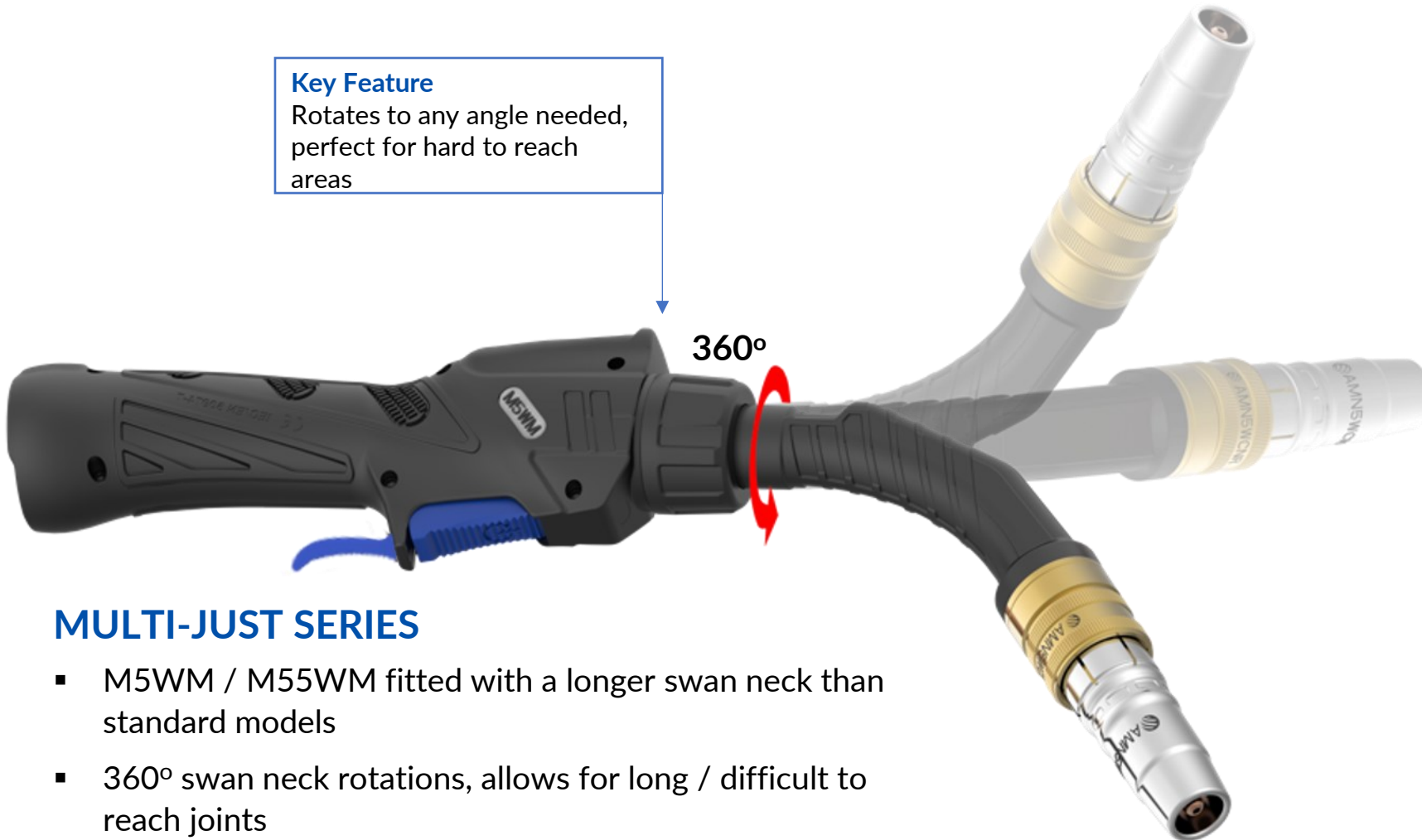


MODULAR HANDLE SETS

- Standard and pistol grip handles
- Knuckle joints and cable support systems for improved positioning

Key Feature

Rotates to any angle needed,
perfect for hard to reach
areas

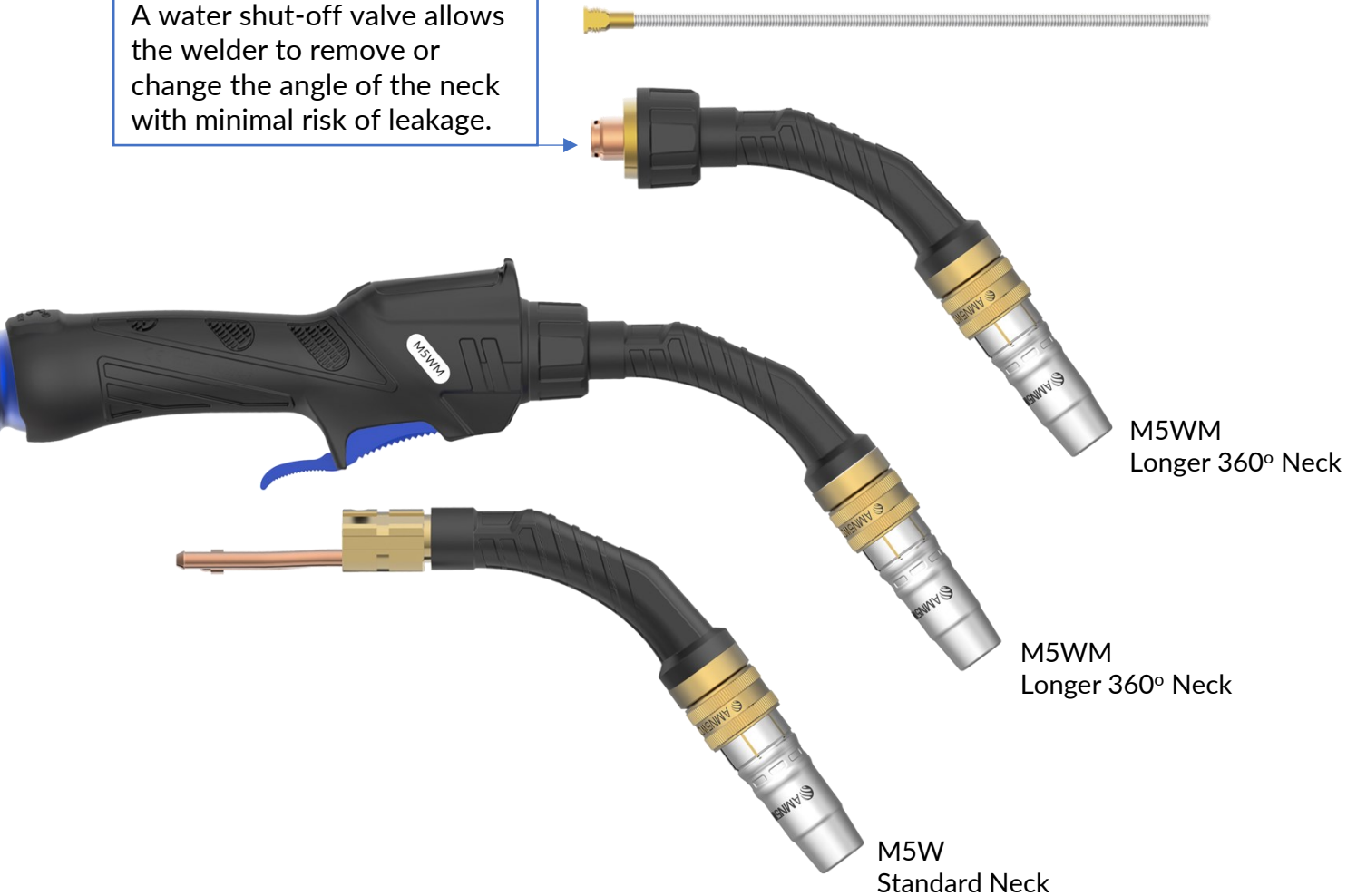


MULTI-JUST SERIES

- M5WM / M55WM fitted with a longer swan neck than standard models
- 360° swan neck rotations, allows for long / difficult to reach joints

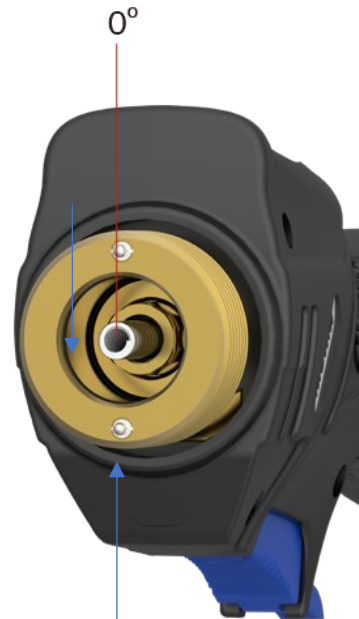
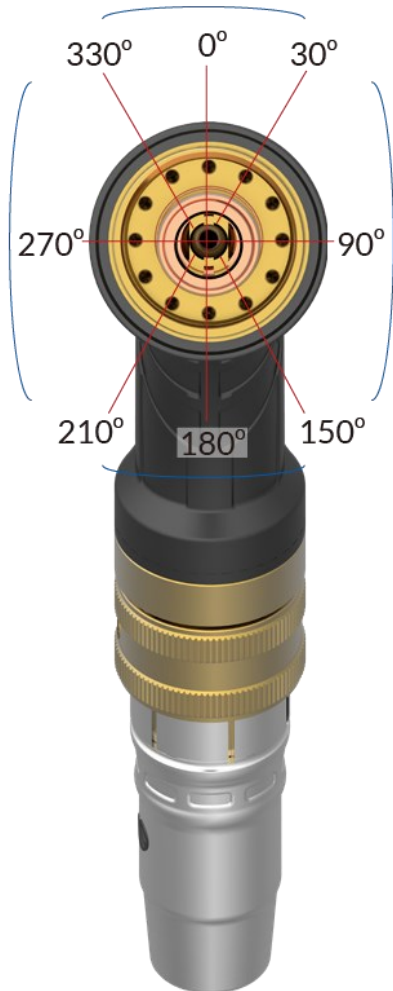
Key Feature

A water shut-off valve allows the welder to remove or change the angle of the neck with minimal risk of leakage.



**MULTI-JUST SERIES –
INTERCHANGEABILITY**

- Separate neck liner prevents twisting through the torch
- Necks interchange across the M5W / 55W Series
- Extended trigger helps with long reach joints

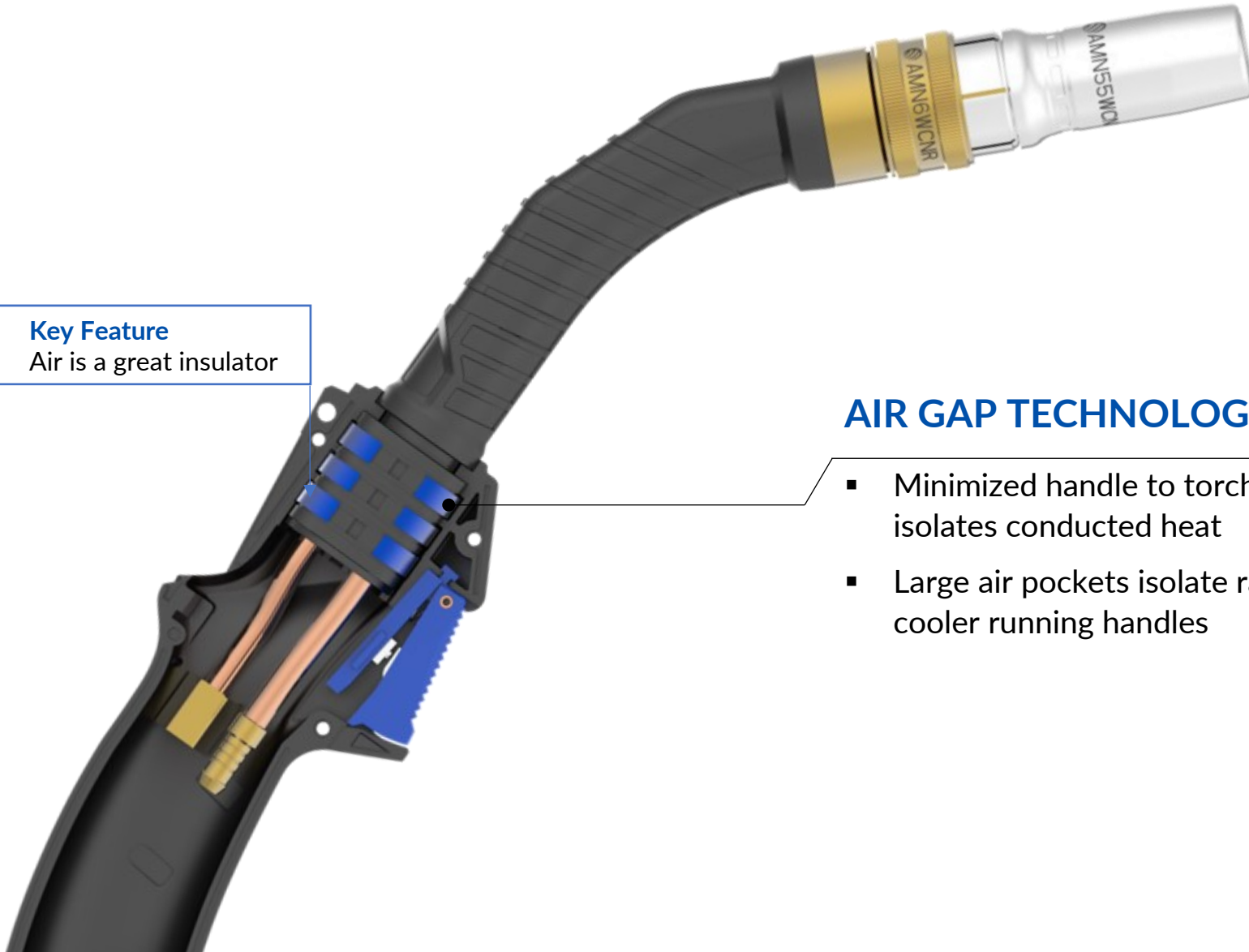


Key Feature

Locking pins secure the neck in place, preventing any movement.

MULTI-JUST SERIES – POSITIONABILITY

- Torch continues to cool and recirculate the water whilst changing the neck or neck angle



Key Feature

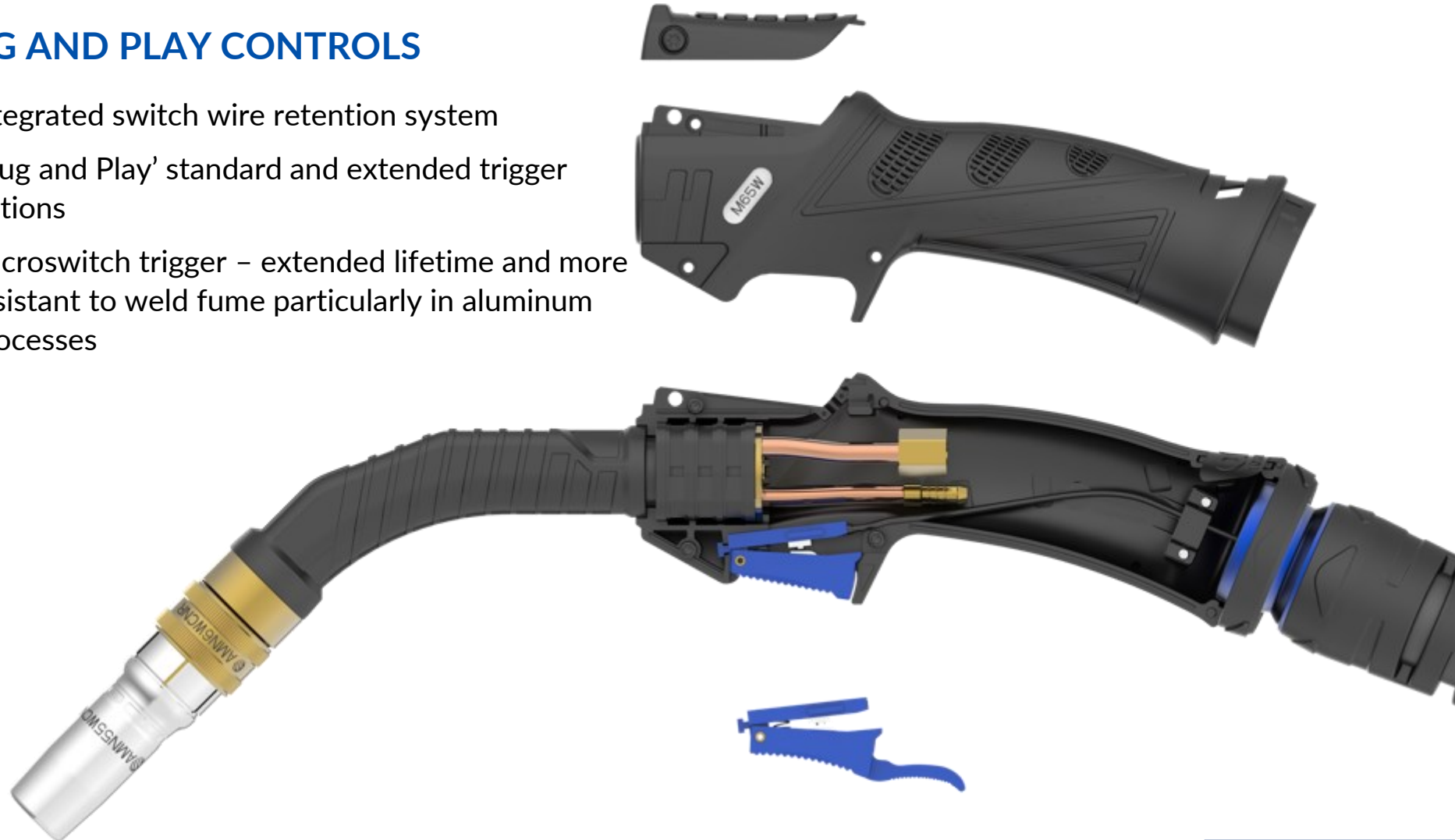
Air is a great insulator

AIR GAP TECHNOLOGY

- Minimized handle to torch body interface isolates conducted heat
- Large air pockets isolate radiated heat for cooler running handles

PLUG AND PLAY CONTROLS

- Integrated switch wire retention system
- 'Plug and Play' standard and extended trigger options
- Microswitch trigger – extended lifetime and more resistant to weld fume particularly in aluminum processes



Key Feature
Point of sale configurability



2 Button
Momentary



4 Button
Momentary

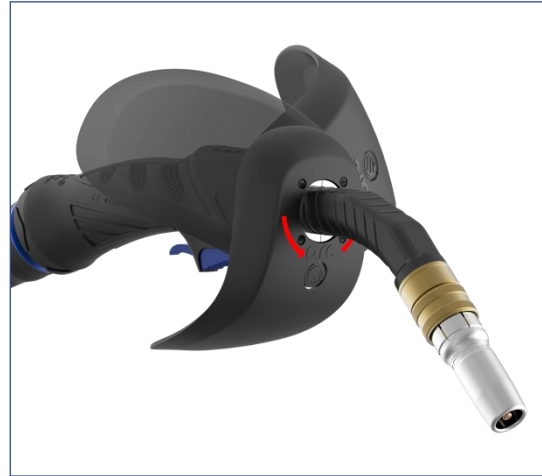


Digital Control Module
- Program Display

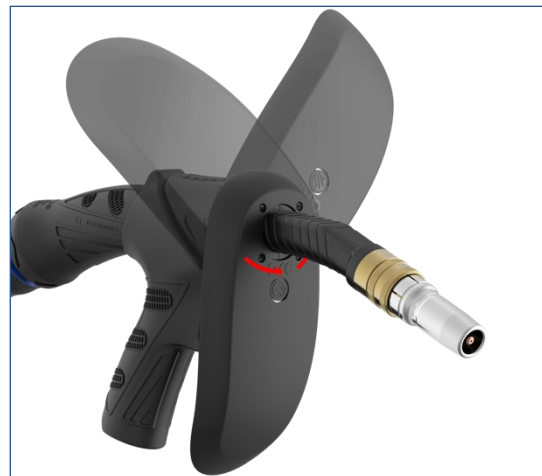
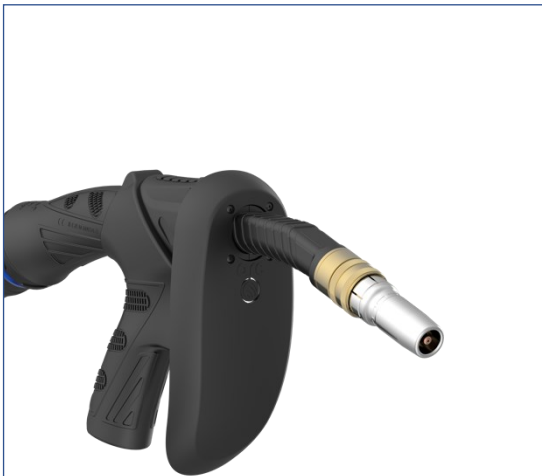
PLUG AND PLAY CONTROL OPTIONS

- All control modules – “Plug and Play”
- Available in analogue and digital control versions

Standard Style



Pistol Grip Style



RETROFIT HEATSHIELDS

- Offers optimal protection for the welder's hand in situations where there is a high degree of reflected heat.
- Easily snaps into place and can be adjusted through 360 degrees to provide hand protection in hard-to-reach areas.



DIGITAL ON TORCH MACHINE CONTROLS

- Change Parameters
- Multifunction switching of:
 - Job number / recall
 - Amps
 - Wire Speed
 - Arc Volt Adjustments

Module on / off control

Real time display of parameters

Use with standard and pistol grip handle

LINERS

Al – Soft Wire Liner



SS, SS-MC/FC- Combi Liner



Fe, Fe-MC/FC – Steel Liner



SS, SS-MC/FC – Stainless Steel Liner



Key Feature

Soft wire/combi liner option features sliding and locking collet system with integrated gas seal.

LINER OPTIONS

- Soft wire liners for aluminum and copper alloy wires
- Combi-liners for heavy duty Aluminum welding, stainless steel and stainless steel metal core and flux core wires
- Steel liners for steel wire, steel metal core and flux core wires
- Optional stainless steel liners for high deposition stainless wire applications



SOFT WIRE / COMBI LINER INSTALLATION

An optional set-up kit is available for perfect installation

Kit includes:

- Soft wire liner position jig
- Soft wire cutter
- Soft wire sharpener

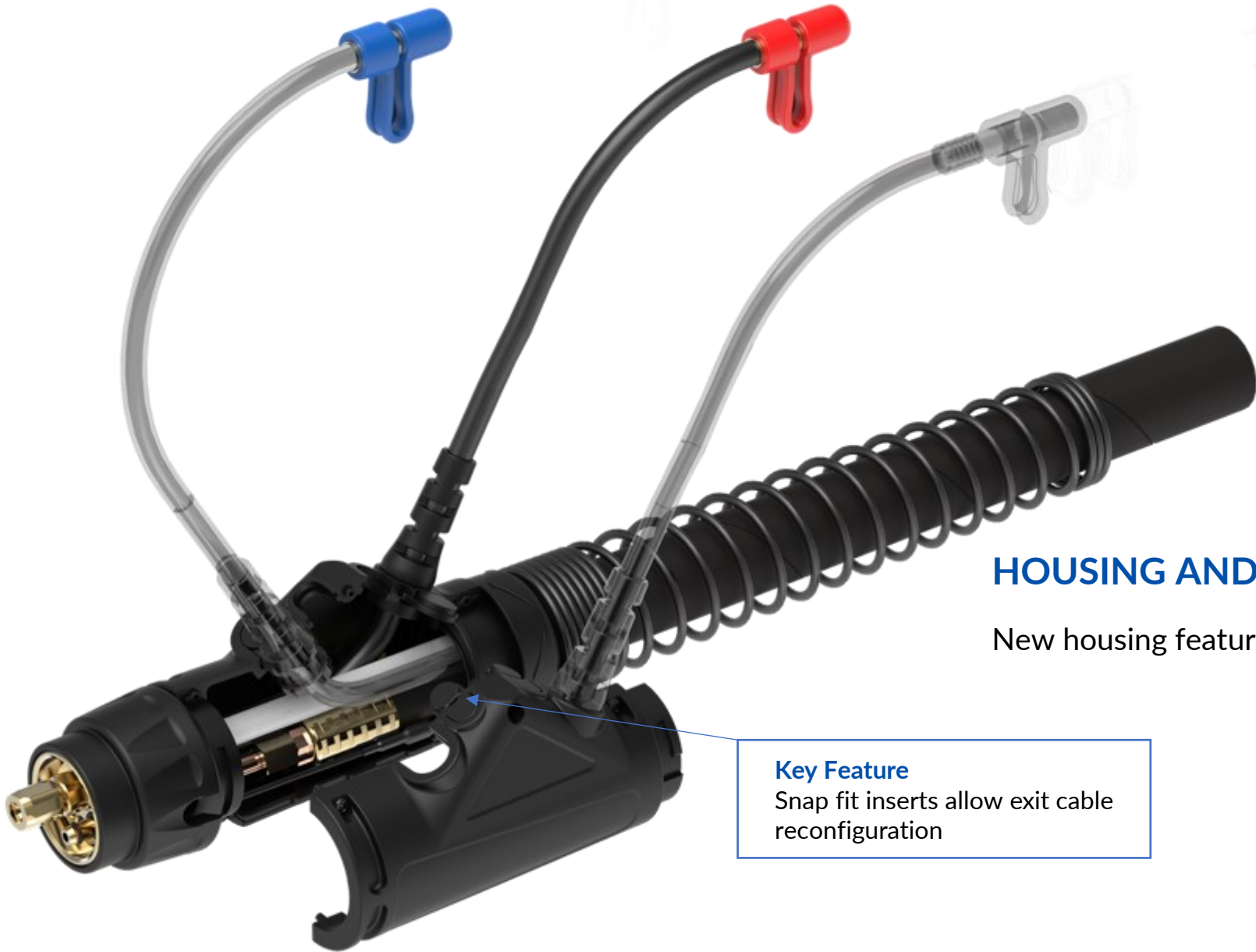
CABLE SETS

- Power cables superior grade copper conductors for added protection against poor quality water and contaminants
- Specified and constructed to last over 1 million flexes in life cycle testing



Key Feature

Integrated gas seal on outer liners



HOUSING AND TERMINATIONS

New housing features multiple exit options

Key Feature
Snap fit inserts allow exit cable reconfiguration

ARC M HIGH PERFORMANCE SERIES

Make Work Life Easier



MAKE WORK
LIFE EASIER